

TECHNICAL DATA SHEET

# GASIR® Infrared Lens

## 14 mm f/1.0

Umicore's GASIR® infrared lenses have been developed for an easy fit with a wide range of camera cores. Our catalog lenses provide a cost-effective solution for high-resolution thermal imaging and sensing applications.

This lens may be offered with other coating variants upon request. Its **lightweight and distortion-free design** makes it a prime choice for your application.

This lens is compatible with **12 µm VGA** detectors and smaller.



### OPTICAL SPECIFICATIONS


Effective focal length	13.7 mm
Radiometric f-number	f/1.0
Waveband	8 – 12 µm
Maximum field of view	33° × 25°
Image circle	10.0 mm

### Fields of view (HFOV × VFOV)

Detector pixel pitch	Detector format		
	160 × 120	320 × 240	640 × 480
12 µm	8.0° × 6.0°	15.9° × 11.9°	31° × 24°
17 µm	11.3° × 8.5°	22° × 16.9°	—

Other detectors may be possible. Please contact us for more information.

### LENS VARIANTS

Mechanical variant	Fixed Focus 
Mechanical interface	12 µm mount M24
Coating option	iDLC™-LWP
Part number	19003_100

### COATING OPTIONS

	Transmission*	Lens coatings	Comments
iDLC™-LWP	> 80%	iDLC™ on front surface LWP on one internal surface HEAR on all other surfaces	Durable coating, salt fog rated, together with a sunlight filter coating for unprotected exterior use.

HEAR: High Efficiency Anti-Reflection; DLC: Diamond-Like Carbon; LWP: Long Wave Pass  
Additional specifications are provided in the coatings Technical Data Sheets available on our website.

\*average transmission over waveband



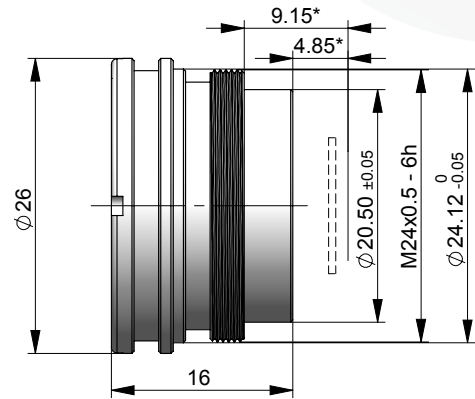
# GASIR® Infrared Lens – 14 mm f/1.0

## Fixed Focus

Part Number **iDLC™-LWP 19003\_100**

<b>Focus range</b>	0.5 m to ∞ with 0.36 mm refocus
<b>Operating temperature</b>	-40 °C to +80 °C
<b>Storage temperature</b>	-57 °C to +105 °C
<b>Weight</b>	15 g
<b>Housing material</b>	Black anodized aluminium

\*dimensions valid with 0.63 mm Si detector window



Electro-Optic Materials is ISO certified: ISO 9001 & ISO 14001

Umicore IR Glass  
Z.A. du Boulais  
35690 Acigné  
FRANCE

Tel: +33 2 99 04 32 26  
Fax: +33 2 99 04 32 29  
[optics@umicore.com](mailto:optics@umicore.com)

Tel: +1 918-673-1650  
Fax: +1 918-673-2121  
[optics.na@umicore.com](mailto:optics.na@umicore.com)

Umicore Optical Materials Inc.  
PO Box 737  
Quapaw, OK 74363  
USA