

TECHNICAL DATA SHEET

GASIR[®] Infrared Lens 25 mm f/1.0

Umicore's GASIR[®] infrared lenses have been developed for an easy fit with a wide range of camera cores. Our catalog lenses provide a cost-effective solution for high-resolution thermal imaging and sensing applications.

This lens may be offered with other coating variants upon request. Its **lightweight and cost-effective design** makes it a prime choice for your application.

This lens is compatible with **12 μm VGA** detectors and smaller.



OPTICAL SPECIFICATIONS




Effective focal length	25 mm
Radiometric f-number	f/1.0
Waveband	8 – 12 μm
Maximum field of view	18.3° × 13.8°
Image circle	10.0 mm

Fields of view (HFOV × VFOV)

Detector pixel pitch	Detector format		
	160 × 120	320 × 240	640 × 480
12 μm	4.4° × 3.3°	8.8° × 6.6°	17.6° × 13.2°
17 μm	6.2° × 4.7°	12.5° × 9.4°	—

Other detectors may be possible. Please contact us for more information.

LENS VARIANTS

Mechanical variant	Fixed Focus 12 μm mount 	Fixed Focus 	Manual Focus 
Mechanical interface	12 μm mount M34	Standard M25	
Coating option	LWP	iDLC [™]	HEAR
Part number	18061_100	17056_100	18073_100

COATING OPTIONS

	Transmission*	Lens coatings	Comments
iDLC [™]	> 87%	iDLC [™] on front surface HEAR on all other surfaces	Durable coating for unprotected exterior use. Salt fog rated.
HEAR	> 94%	HEAR on all surfaces	Maximum transmission performance.
LWP	> 89%	LWP on one internal surface HEAR on all other surfaces	Sunlight filter coating for use with uncoated detectors.

HEAR: High Efficiency Anti-Reflection; DLC: Diamond-Like Carbon; LWP: Long Wave Pass
Additional specifications are provided in the coatings Technical Data Sheets available on our website.

*average transmission over waveband



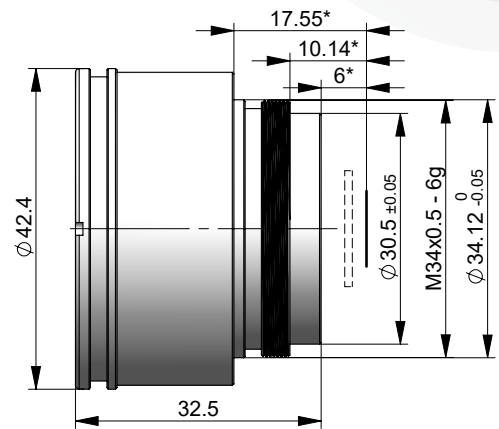
GASIR® Infrared Lens – 25 mm f/1.0

Fixed Focus 12 μm mount

Part Number **LWP 18061_100**

Focus range	1.1 m to ∞ with 0.53 mm refocus
Operating temperature	-40 °C to +80 °C
Storage temperature	-57 °C to +105 °C
Weight	71 g
Housing material	Black anodized aluminium

*dimensions valid with 0.63 mm Si detector window

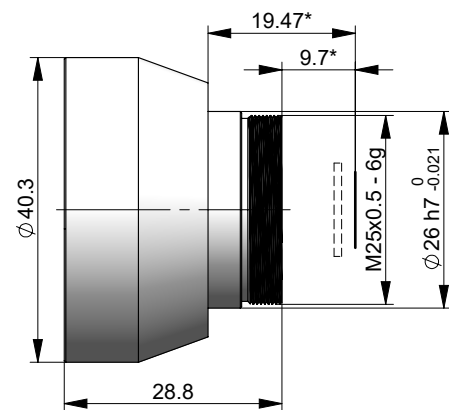


Fixed Focus

Part Number **iDLC™ 17056_100** **HEAR 18073_100**

Focus range	1.1 m to ∞ with 0.53 mm refocus
Operating temperature	-40 °C to +80 °C
Storage temperature	-57 °C to +105 °C
Weight	61 g
Housing material	Black anodized aluminium

*dimensions valid with 1.0 mm Ge detector window

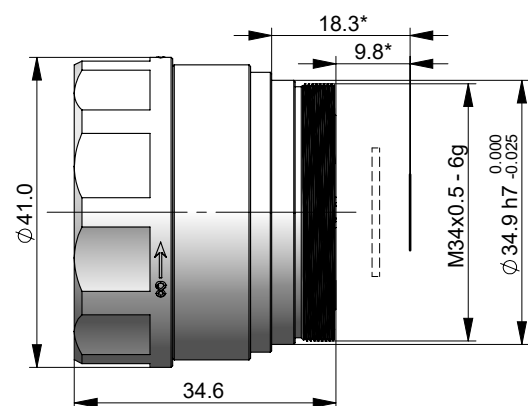


Manual Focus

Part Number **HEAR 18083_100**

Manual focus range	0.5 m to ∞ with 190° ring rotation
Lateral magnification	1:18 at 0.5 m
Operating temperature	-40 °C to +80 °C
Storage temperature	-57 °C to +105 °C
Weight	84 g
Housing material	Black anodized aluminium

*dimensions valid with 1.0 mm Ge detector window



Electro-Optic Materials is ISO certified: ISO 9001 & ISO 14001

Umicore IR Glass
Z.A. du Boulais
35690 Acigné
FRANCE

Tel: +33 2 99 04 32 26
Fax: +33 2 99 04 32 29
optics@umicore.com

Tel: +1 918-673-1650
Fax: +1 918-673-2121
optics.na@umicore.com

Umicore Optical Materials Inc.
PO Box 737
Quapaw, OK 74363
USA